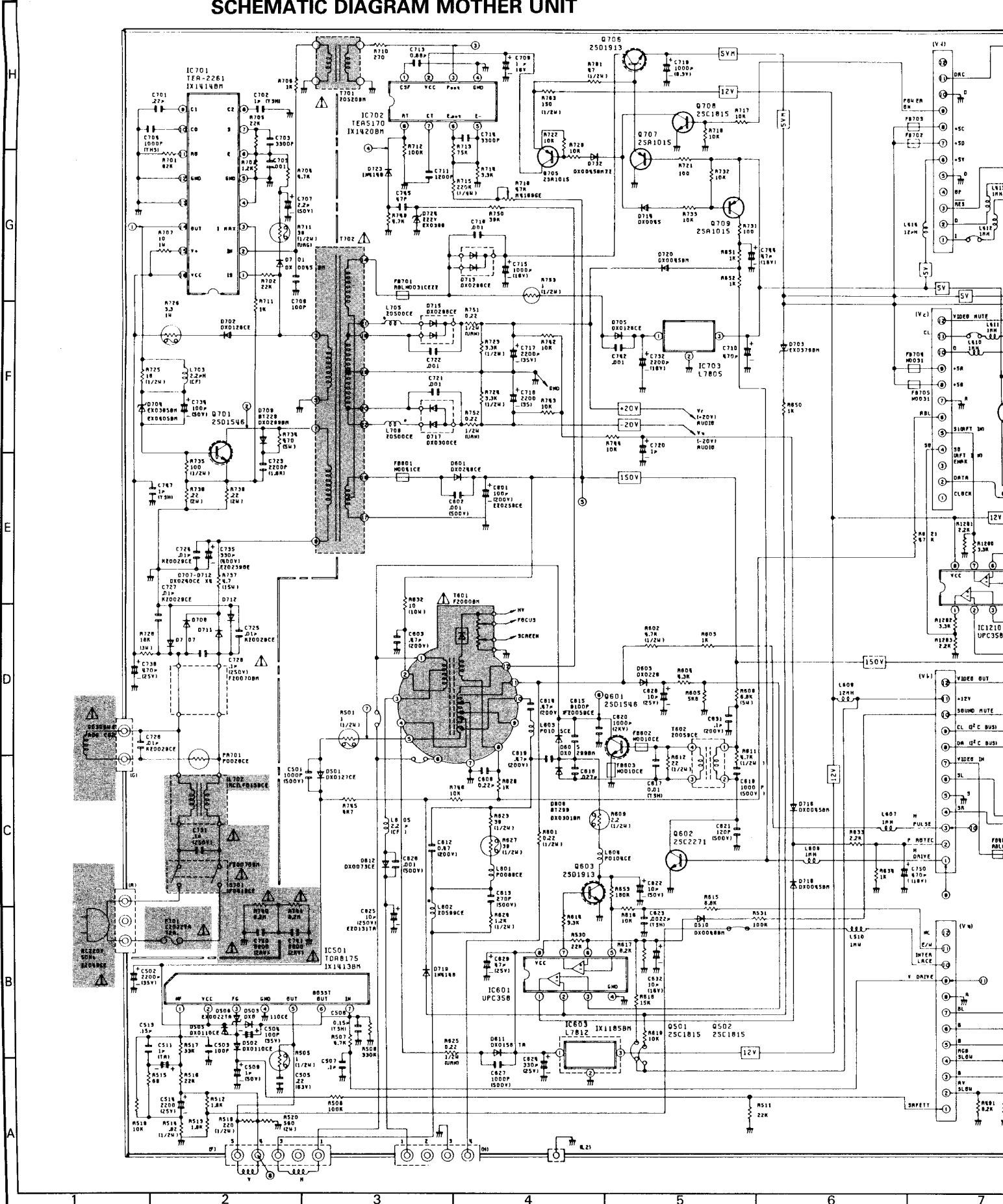
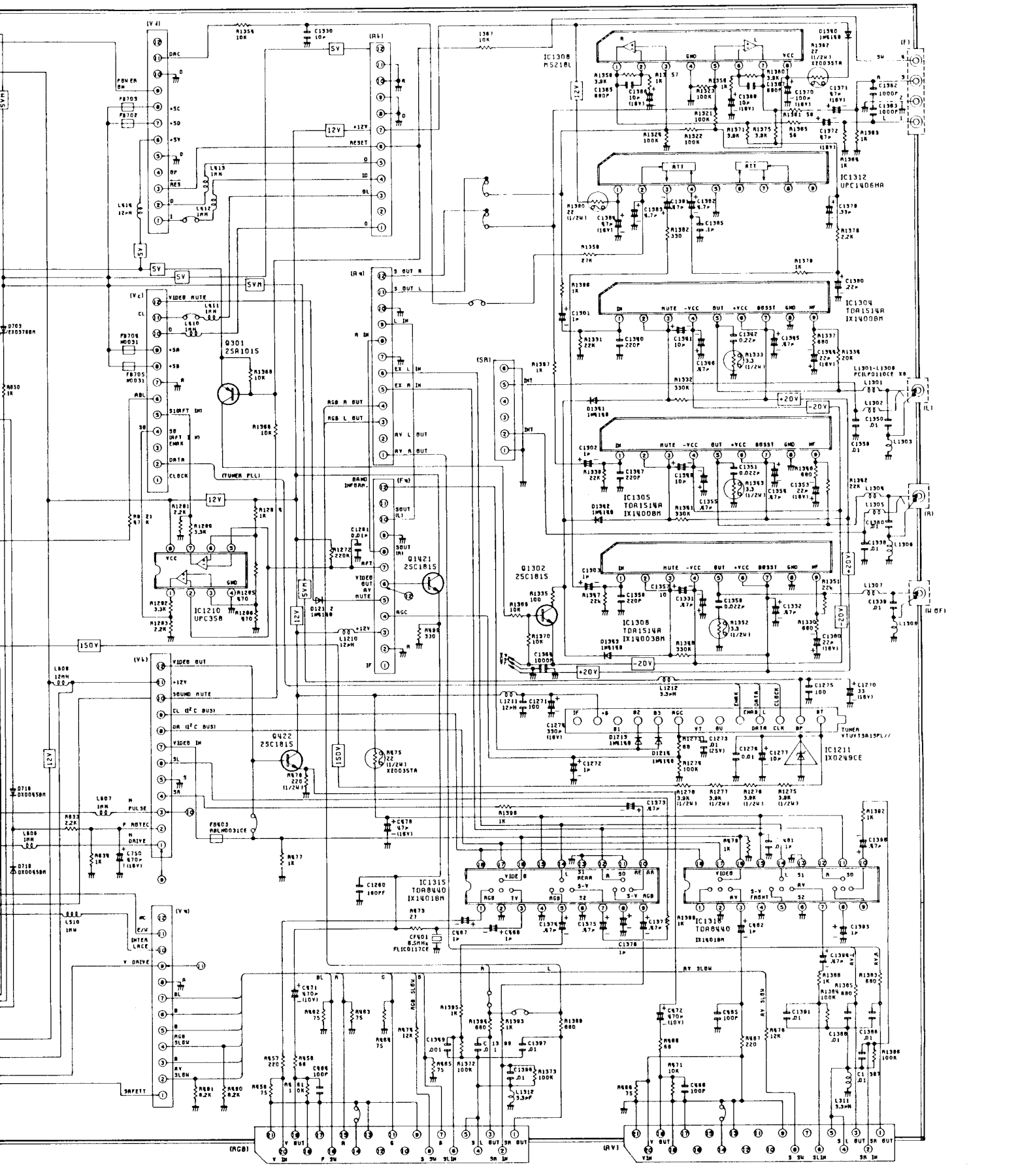


SCHEMATIC DIAGRAM MOTHER UNIT

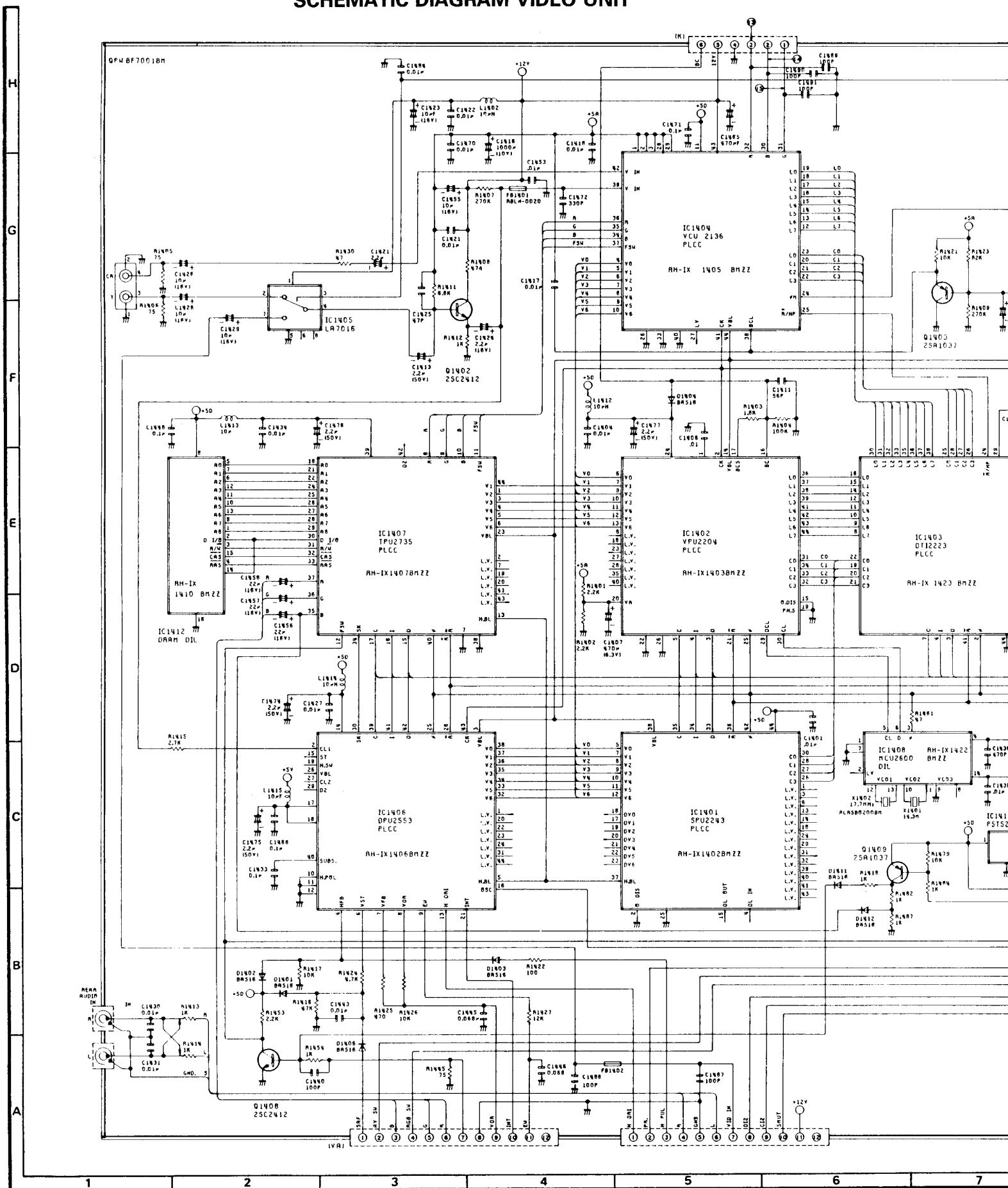


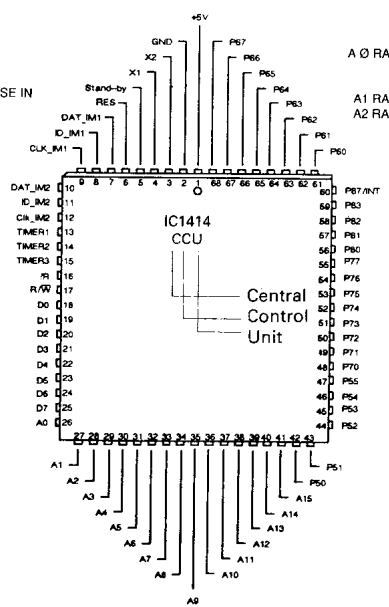
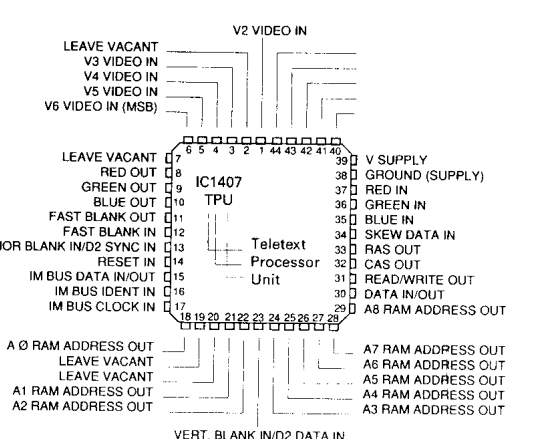
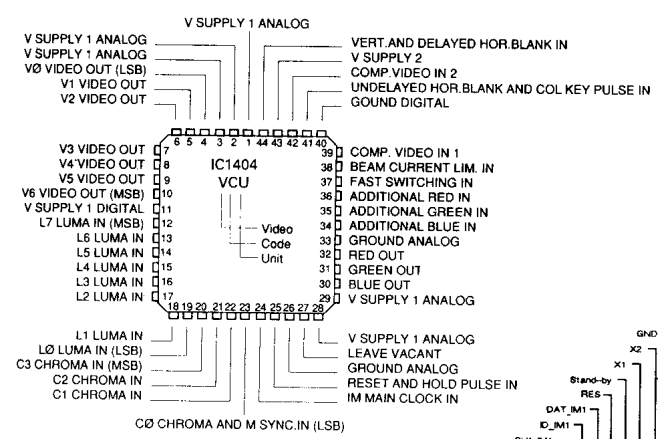
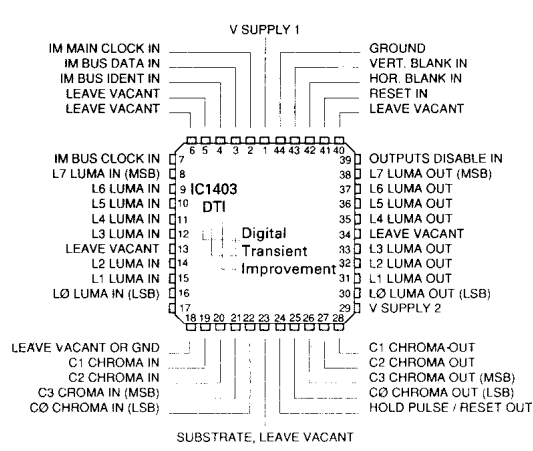
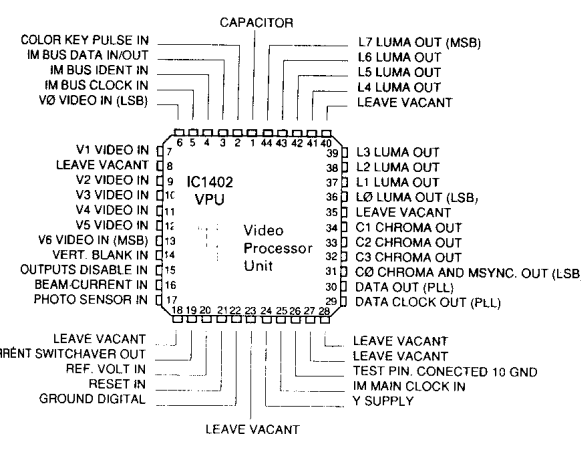
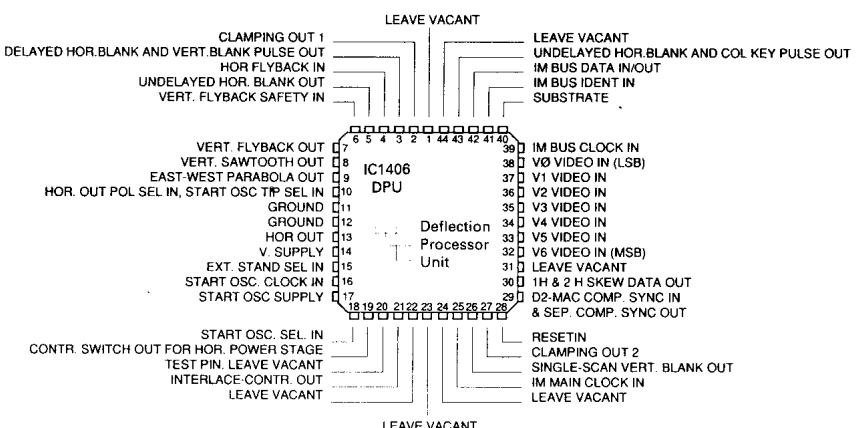
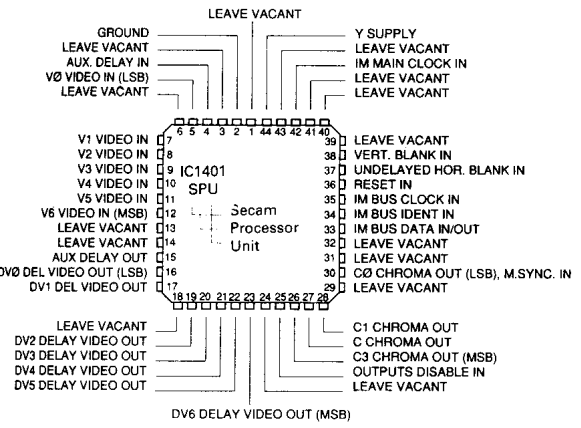
DV-25073S DV-25073S
 DV-28073S DV-28073S

SCHEMATISCHER SCHALTPLAN HAUPTPLATINE



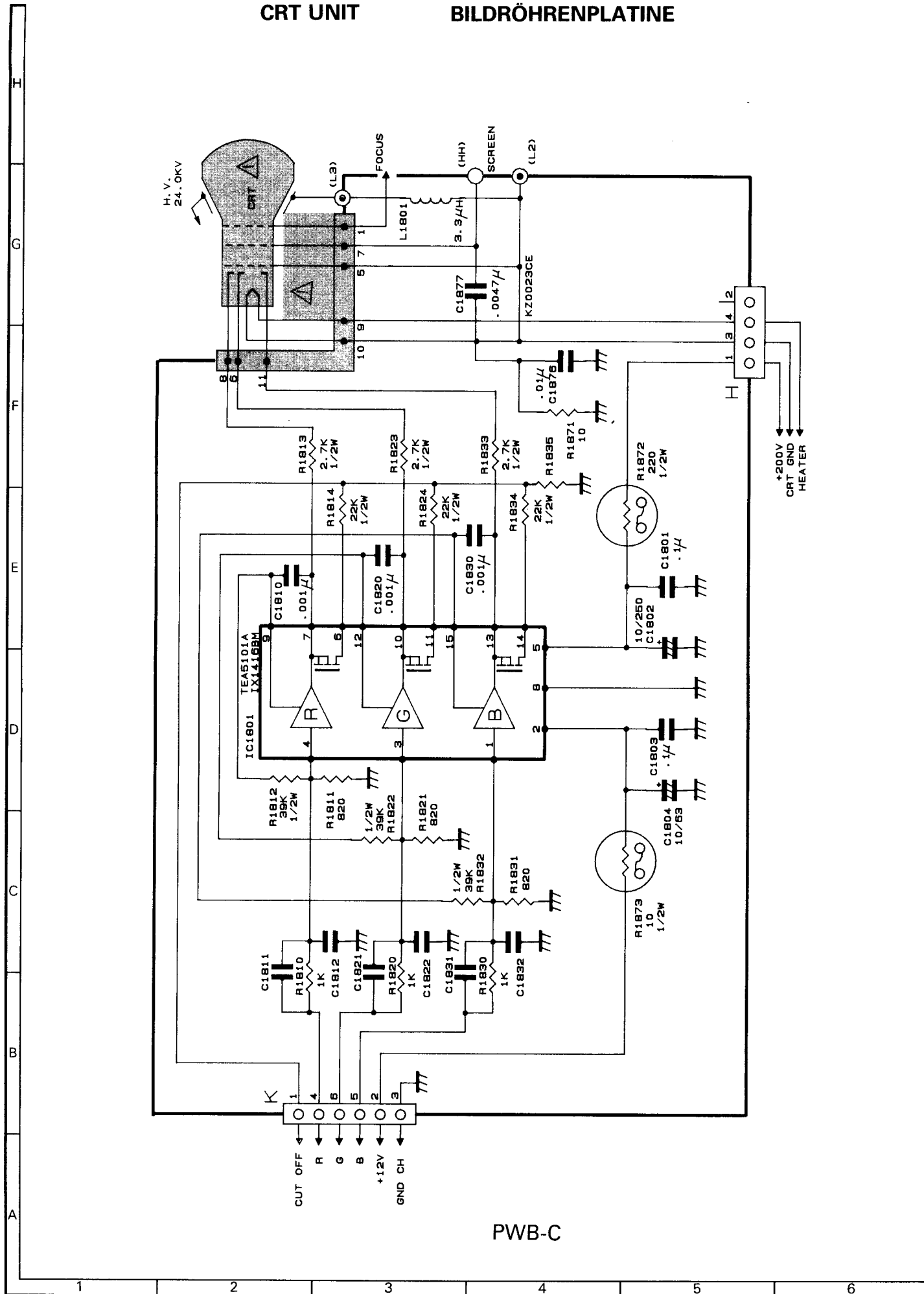
SCHEMATIC DIAGRAM VIDEO UNIT





CRT UNIT

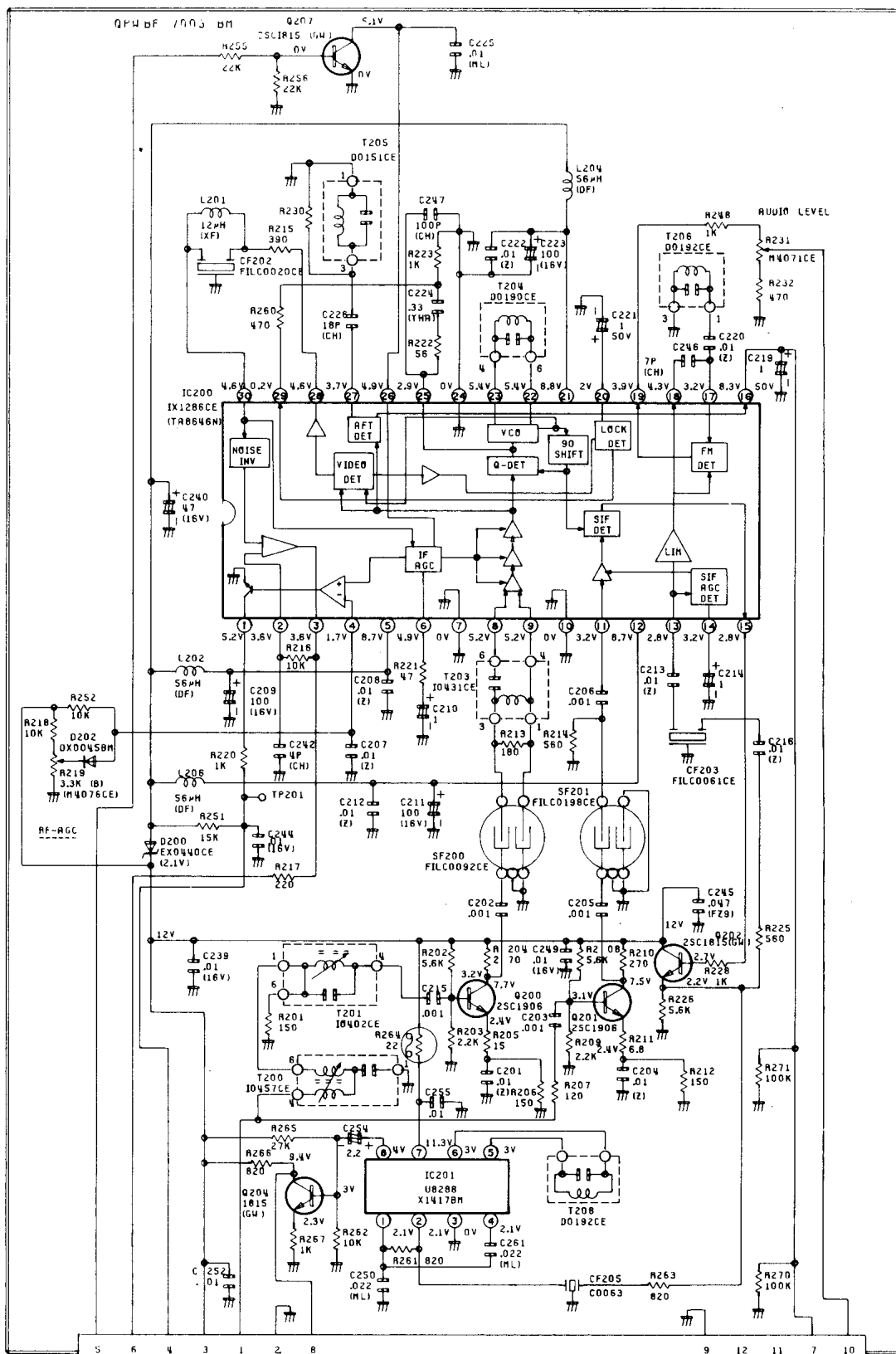
BILDROHRENPLATINE



PWB-C

IF UNIT

ZF-EINHEIT

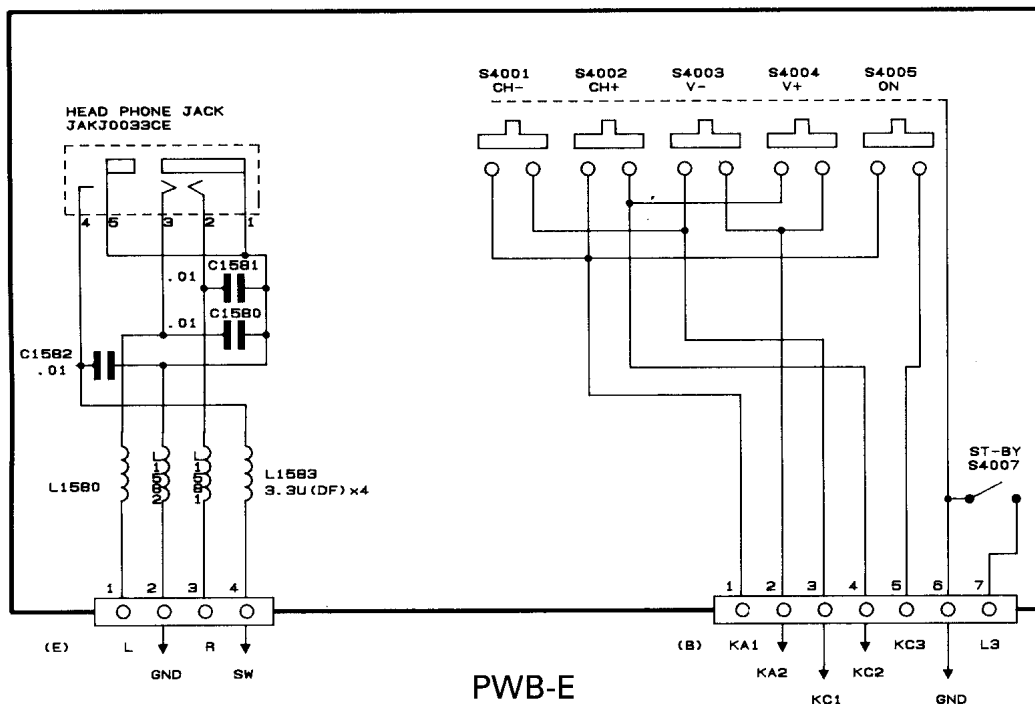


5 6 4 3 1 2 8 9 12 11 7 10
 FH AGC V A A +12V IF AUDIO AGC
 MUTE D F F +2V IN OUT(S,74)
 N N A A
 I I C C
 T T
 GND AUDIO AGC
 S I F
 C O M
 N E C
 U T
 AFT AUDIO
 OUT(S,5)

PWB-D

CONTROL UNIT

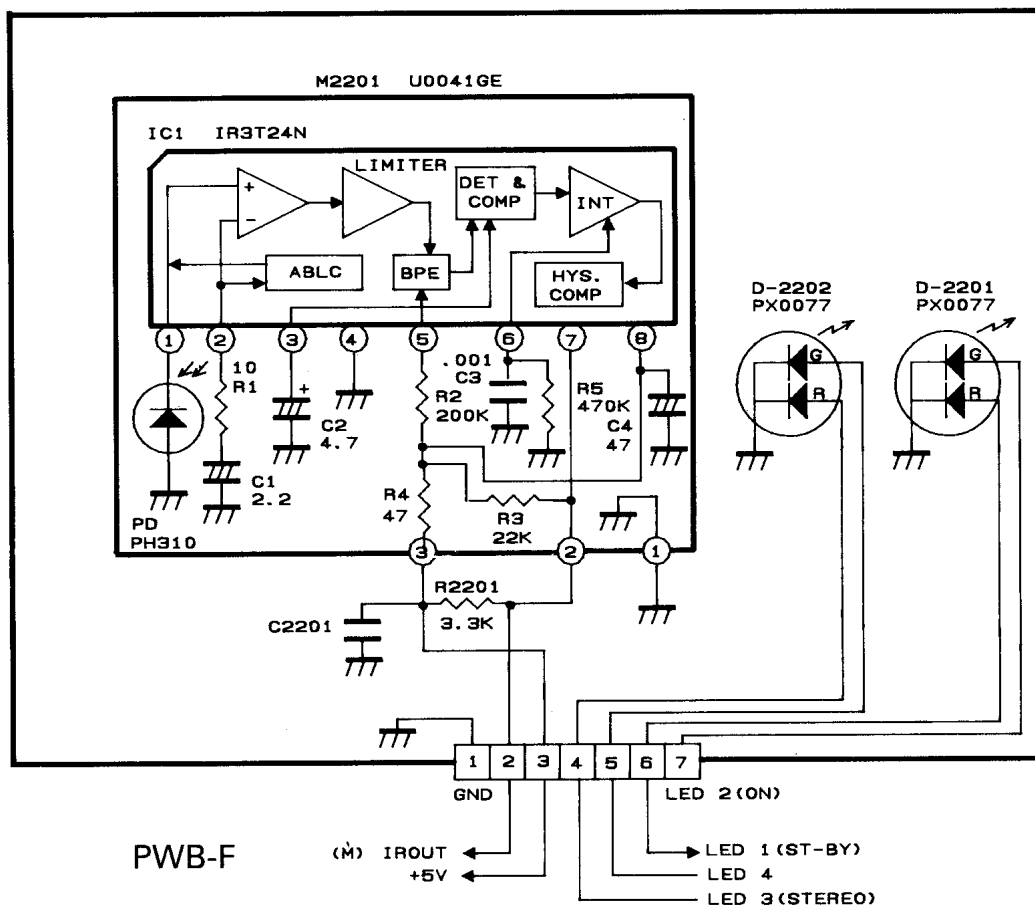
REGLER-EINHEIT



PWB-E

IR UNIT

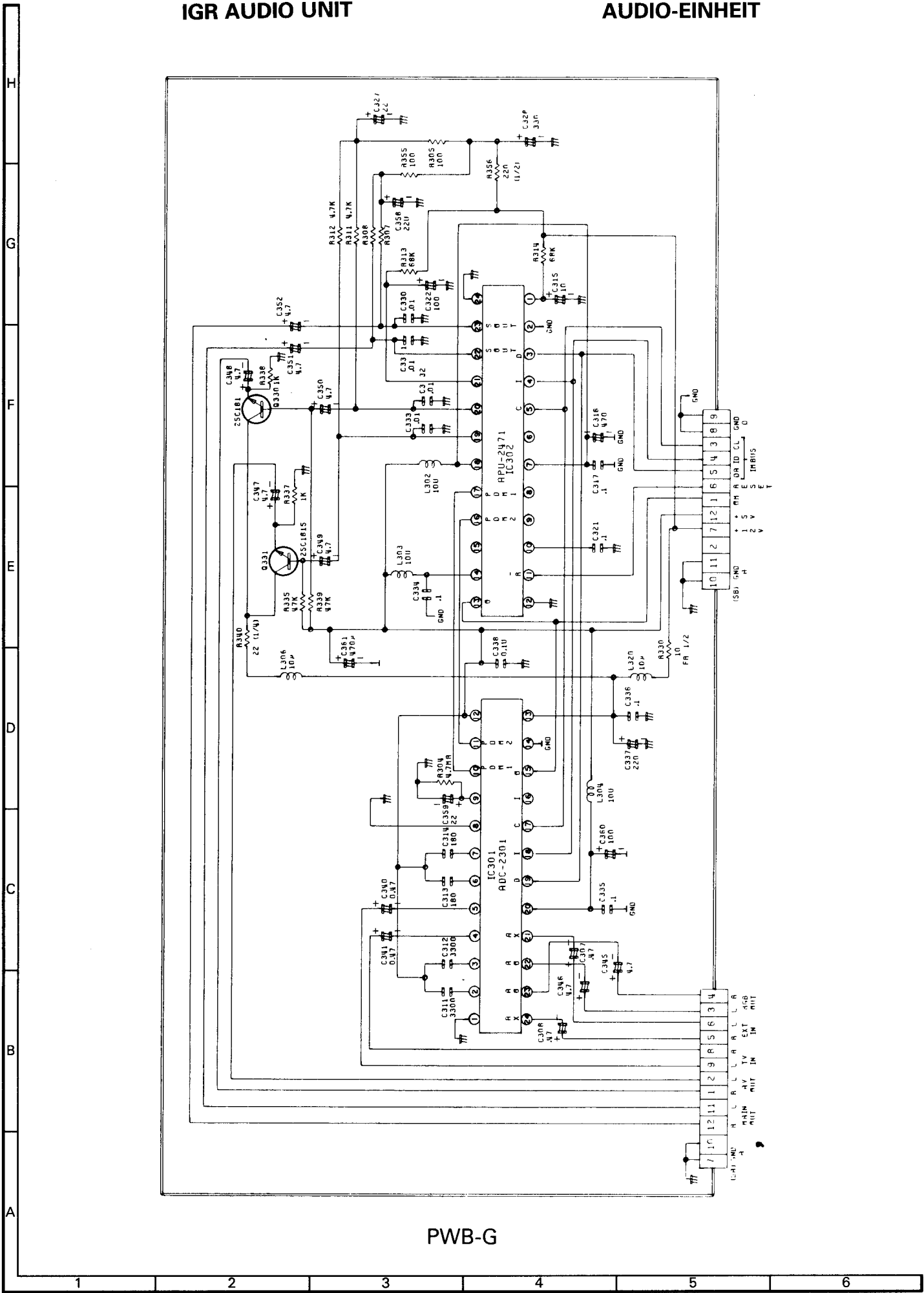
IR-EINHEIT



PWB-F

IGR AUDIO UNIT

AUDIO-EINHEIT



PWB-G